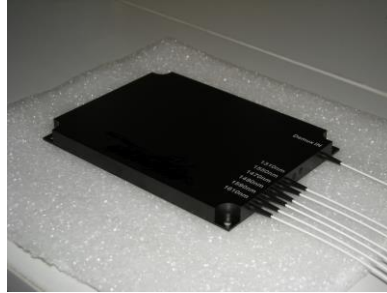




上海量青光电技术有限公司

多通道粗波分复用器

4,8,16-Channel Coarse Wavelength Division Multiplexer



Applications:	Features:
CWDM system Wavelength Add/Drop	High Isolator Low Insertion Loss Compact Size Wide pass band

Parameter	4 Channel		8 Channel		16 Channel		
	MUX	DEMUX	MUX	DEMUX	MUX	DEMUX	
Channel Wavelength (nm)	1270、1491 or 1470、1490						
Center Wavelength Accuracy (nm)	±0.5						
Channel Spacing (nm)	20						
Channel Passband (@-0.5dB bandwidth) (nm)	>13						
Insertion Loss (dB)	≤ 1.5		≤ 2.5		≤ 4.5		
Channel Uniformity (dB)	≤0.6		≤1.0		≤1.5		
Channel Ripple (dB)	< 0.3						
Isolation (dB)	Adjacent	N/A	>30	N/A	>30	N/A	>30
	Non-adjacent	N/A	>40	N/A	>40	N/A	>40
Insertion Loss Temperature Sensitivity (dB/°C)	<0.005						
Wavelength Temperature Shifting (nm/°C)	<0.002						
Polarization Dependent Loss (dB)	<0.1		<0.1		<0.2		
Polarization Mode Dispersion (ps)	<0.1						
Directivity (dB)	>50						
Return Loss (dB)	>45						
Maximum Power Handling (mW)	300						
Operating Temperature (°C)	0 ~+70						
Storage Temperature (°C)	-40 ~+85						
Package Dimension (L*W*H mm)	110 x 95 x 7.5		100 x 80 x 10		110 x 95 x 15		

Notes: at 23 °C ,IL is 0.23dB higher lower for each connector added.

总机: **021-64778883**

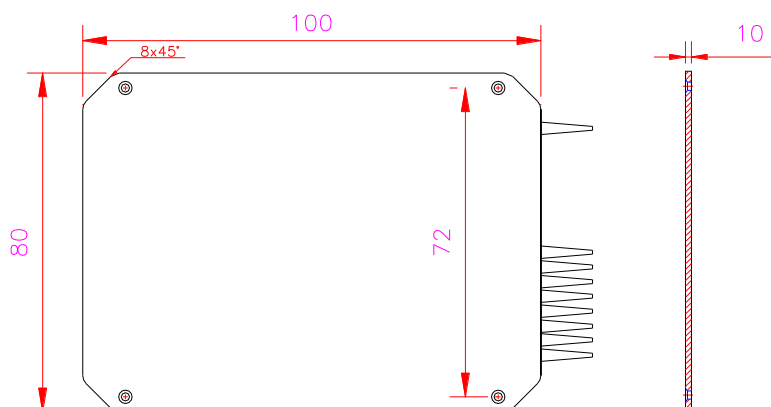
邮箱: **sales@qoptronics.com**

官网: **www.qoptronics.com**

地址: 上海市浦东新区张江高科技园区张江路 **655** 号德宏大厦 **302** 室



Shape and Dimensions:



Order Information:

LQ-CWDM	<input type="checkbox"/>	<input type="checkbox"/> <input type="checkbox"/> <input type="checkbox"/> <input type="checkbox"/>	<input type="checkbox"/>	<input type="checkbox"/>	<input type="checkbox"/>
CWDM Type	Channels	Wavelength	Pigtail Jacket	Fiber Length	Connector
M=MUX D=DEMUX X=Specify	4=4 Channel XX=Specify	1470=1470nm XX=Specify	1=250um bare fiber 2=900um loose tube X=Specify	1=0.5m 2=1m 3=1.5m X=Customer Length	0=None 1=FC/APC 2=FC/PC 3=SC/APC 4=SC/PC 5=LC/PC X=Specify

总机：021-64778883

邮箱：sales@qoptronics.com

官网：www.qoptronics.com

地址：上海市浦东新区张江高科技园区张江路 655 号德宏大厦 302 室